



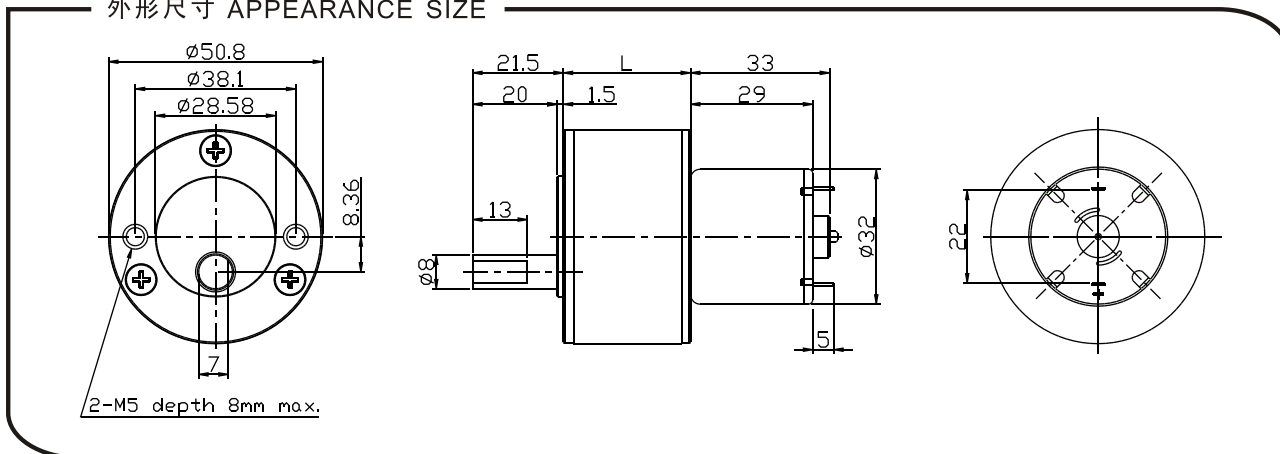
电压/Main voltage: 3VDC、6VDC、9VDC、12VDC、24VDC、36VDC

用途/Typical applications: 垃圾处理器、自动贩卖机、蠕动泵子、望远镜、自动门、电视广告、医疗器械、ATM银行系统、家用电器、执行器、办公设备 Garbage disposers, Slot machine, Peristaltic pump, Angular telescope, Automatic door, Electric advertising, Medical equipment, ATM bank automatic system, Household appliances, Automatic actuator, Office equipment.

重量/Weight: 360~420g/pcs(approx)

包装外形尺寸/Packing details: CTN size: 34X31XH15cm 20pcs/CTN G.W.9kgs

外形尺寸 APPEARANCE SIZE



齿轮箱数据 Gearbox data

减速箱级数 Number of stages	2、3 减速比 Stages reduction	4、5 减速比 Stages reduction	6 减速比 Stages reduction
减速比 Reduction ratio	7.5、13.8; 30、55	120、220; 480、883	1920、3532
齿轮箱长度 Gearbox length "L" mm	26.4	30.2 33.9	37.7
最大运转力矩 Max. Running torque	10kgf.cm	30kgf.cm	30kgf.cm
最大破坏力矩 Max. Gear breking torque	30kgf.cm	75kgf.cm	75kgf.cm
最高齿轮效率 Max. Gearing efficiency	81%; 73%	65%; 59%	53%

其它减速比请致电或邮件给我司技术部 Other reduction ratio please telephone or e-mail to our engineering department.

马达参数 Motor data

马达型号 Motor Model	电压 Rated Volt. V	空载 No load		负载 Load torque				堵转 Stall torque	
		电流 Current	转速 Speed	电流 Current	转速 Speed	扭矩 Torque	输出功率 Output power	扭矩 Torque	电流 Current
		mA	r/min	mA	r/min	gf.cm	W	gf.cm	MA
RG50M528123400	12	≤40	3400	≤180	2500	40	1.0	160	720
RG50M528124500	12	≤60	4500	≤350	3300	60	2.0	210	1400
RG50M528126000	12	≤70	6000	≤720	4500	80	3.6	300	2800
RG50M528243000	24	≤15	3000	≤80	2200	40	0.9	140	320
RG50M528244500	24	≤25	4500	≤180	3300	60	2.0	210	730
RG50M528246700	24	≤45	6700	≤360	4500	80	3.6	300	1400

• 这张表格只列出出部分电机参数，想了解更多具体参数请参照93页。

• This table lists some motors parameters, otheers please refer to specific parameters of Page 93.

• 马达和齿轮箱装配成减速电机后输出扭矩 = 马达扭矩X减速比X齿轮效率;输出转速 = 马达转速 / 减速比。

• After connecting motor and gearbox which is named gearmotor the output torque: motor torque X reduction ratio X gearing efficiency; output speed: motor speed/reduction ratio.