



PM-33126000 Series

SGMADA®

(12VDC STANDARD)

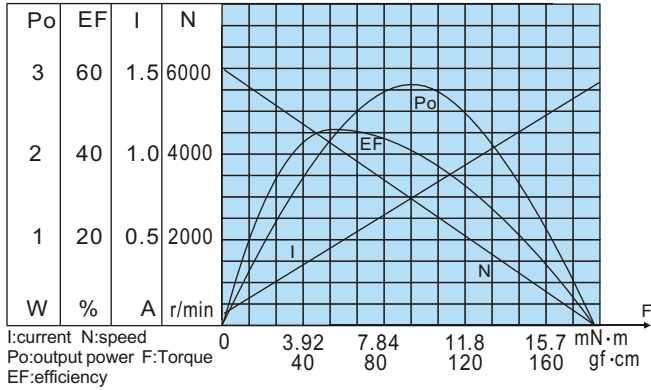
DC GEARED MOTOR

OUTPUT POWER: 2.2W(APPROX)

WEIGHT: 150~180g(APPROX)

Typical applications: Labal printers, auto shutter, welding machines, water meter IC card, grill, oven, cleaning machine, garbage disposers, household appliances, slot machines, money detector, automatic actuator, coffee machine, towel disposal, lighting, coin refund devices, peristaltic pump.

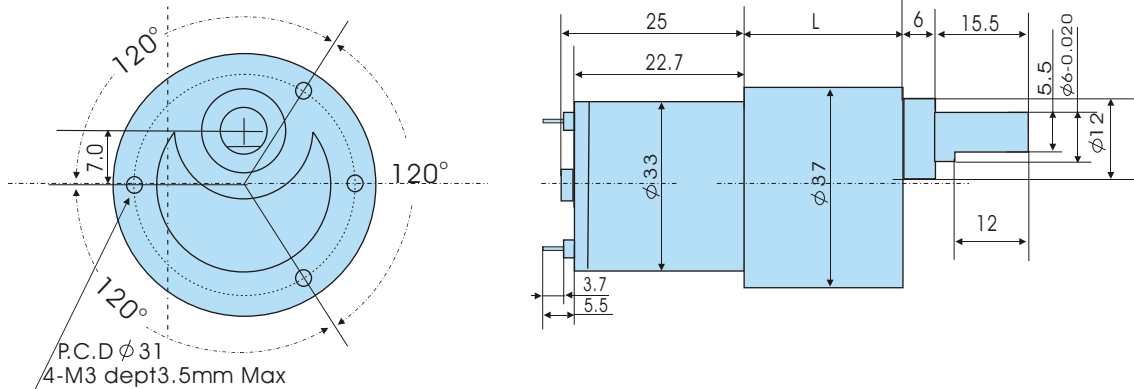
MOTOR CHARACTERISTICS



MOTOR TORQUE/SPEED/CURRENT

Rated voltage	12VDC
No load speed	6000r/min
No load current	40mA
Rated torque	45gf · cm 4.41mN · m
Rated current	410mA
Rated speed	4500r/min
Stall torque	180gf · cm 17.6mN · m
Stall current	1.4A

APPEARANCE SIZE



GEARED MOTOR TORQUE/SPEED/CURRENT

Geared motor name	Rated Volt. V	No load		Load torque				At maximum efficiency		Output power W	Number of gear trains	Gearbox length "L" mm
		Current mA	Speed r/min	Current mA	Speed r/min	Torque		Kgf · cm	N · m			
						Kgf · cm	N · m					
PM-33126000-6K	12	≤40	1000	≤410	750	0.29	0.03	0.8	0.08	2.2	2	22
PM-33126000-10K	12	≤40	600	≤410	450	0.44	0.04	1.0	0.1	2.0	2	22
PM-33126000-20K	12	≤40	300	≤410	225	0.89	0.07	2.0	0.2	2.0	3	22
PM-33126000-30K	12	≤40	200	≤410	150	1.2	0.12	3.5	0.34	1.8	3	22
PM-33126000-60K	12	≤40	100	≤410	75	2.1	0.21	8	0.78	1.6	4	25
PM-33126000-90K	12	≤40	66	≤410	50	3.2	0.31	10	0.98	1.6	4	25
PM-33126000-180K	12	≤40	33	≤410	25	5.6	0.55	20	1.96	1.4	5	27
PM-33126000-270K	12	≤40	22	≤410	16	8.8	0.86	30	2.94	1.4	5	27
PM-33126000-540K	12	≤40	11	≤250	8.3	10	0.98	30	2.94	0.9	6	29

Packing Details CTN size: 37X27XH18CM 60pcs/CTN N.W. 11Kgs