



TG-38243000 Series



(24VDC LOWNOISE LONG LIFE)

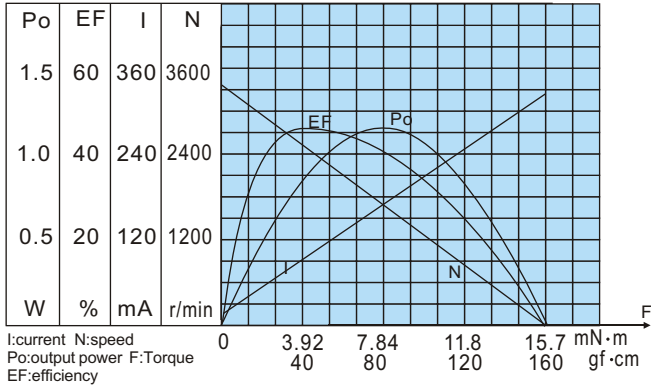
DC GEARED MOTOR

OUTPUT POWER: 0.8W(APPROX)

WEIGHT:180~200g(APPROX)

Typical applications: Labal printers, auto shutter, welding machines, water meter IC card, grill, oven, cleaning machine, garbage disposers, household appliances, slot machines, money detector, automatic actuator, coffee machine, towel disposal, lighting, coin refund devices, peristaltic pump.

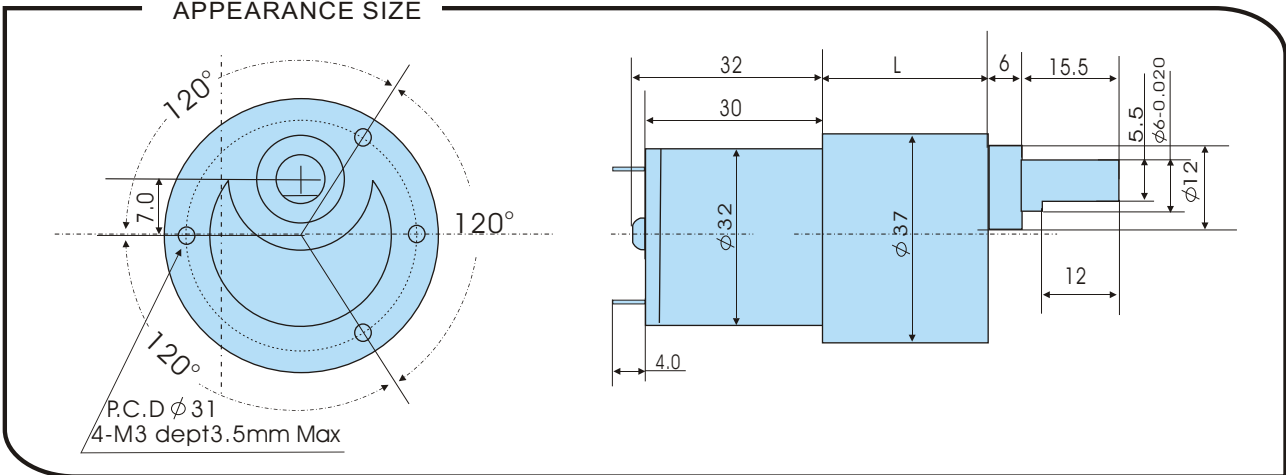
MOTOR CHARACTERISTICS



MOTOR TORQUE/SPEED/CURRENT

Rated voltage	24VDC
No load speed	3000r/min
No load current	18mA
Rated torque	40gf · cm 3.92mN · m
Rated current	85mA
Rated speed	2500r/min
Stall torque	160gf · cm 15.7mN · m
Stall current	300mA

APPEARANCE SIZE



GEARED MOTOR TORQUE/SPEED/CURRENT

Geared motor name	Rated Volt. V	No load		Load torque				At maximum efficiency		Output power W	Number of gear trains	Gearbox length "L" mm
		Current mA	Speed r/min	Current mA	Speed r/min	Torque		Kgf · cm	N · m			
						Kgf · cm	N · m					
TG-38243000-30K	24	≤18	100	≤85	83	0.88	0.09	3	0.29	0.73	3	22
TG-38243000-60K	24	≤18	50	≤85	41	1.58	0.15	6	0.59	0.65	4	25
TG-38243000-90K	24	≤18	33	≤85	28	2.38	0.23	7.0	0.69	0.65	4	25
TG-38243000-180K	24	≤18	16.5	≤85	14	4.25	0.42	13	1.27	0.60	5	27
TG-38243000-270K	24	≤18	11	≤85	9.2	6.37	0.62	20	1.96	0.60	5	27
TG-38243000-540K	24	≤18	5.5	≤85	5.0	10	0.98	30	2.94	0.5	6	29
TG-38243000-810K	24	≤18	3.7	≤50	3.4	10	0.98	30	2.94	0.34	6	29
TG-38243000-1620K	24	≤18	1.8	≤30	1.6	10	0.98	30	2.94	0.16	7	29
TG-38243000-2430K	24	≤18	1.2	≤25	1.1	10	0.98	30	2.94	0.11	7	29

Packing Details CTN size:37X27XH18CM 60pcs/CTN N.W. 12Kgs