



TG-38246800 Series



(24VDC STANDARD)

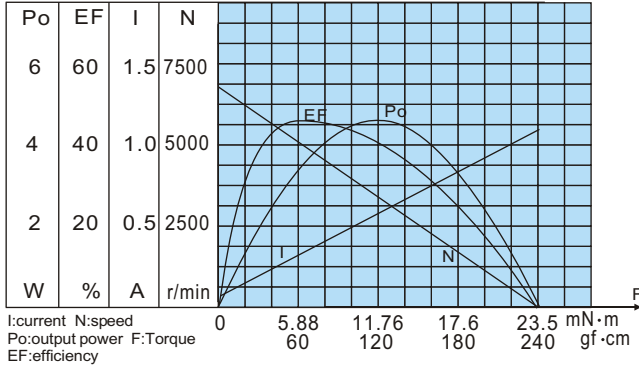
DC GEARED MOTOR

OUTPUT POWER: 2.5W(APPROX)

WEIGHT: 180~200g(APPROX)

Typical applications: Labal printers, auto shutter, welding machines, water meter IC card, grill, oven, cleaning machine, garbage disposers, household appliances, slot machines, money detector, automatic actuator, coffee machine, towel disposal, lighting, coin refund devices, peristaltic pump.

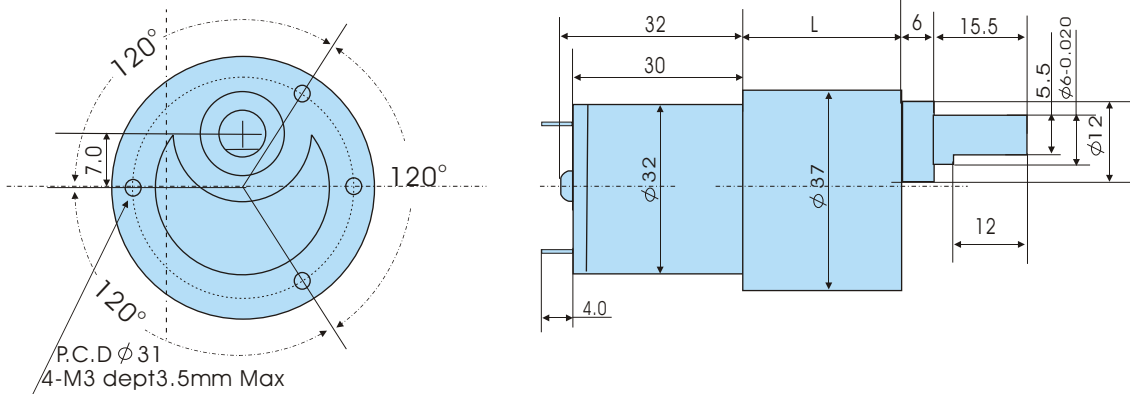
MOTOR CHARACTERISTICS



MOTOR TORQUE/SPEED/CURRENT

Rated voltage	24VDC
No load speed	6800r/min
No load current	45mA
Rated torque	60gf · cm 5.88mN · m
Rated current	280mA
Rated speed	5100r/min
Stall torque	240gf · cm 23.5mN · m
Stall current	1.1A

APPEARANCE SIZE



GEARED MOTOR TORQUE/SPEED/CURRENT

Geared motor name	Rated Volt. V	No load		Load torque				At maximum efficiency		Output power W	Number of gear trains	Gearbox length "L" mm
		Current mA	Speed r/min	Current mA	Speed r/min	Torque		Kgf · cm	N · m			
						Kgf · cm	N · m					
TG-38246800-6K	24	≤45	1130	≤280	860	0.29	0.03	1.0	0.1	2.5	2	22
TG-38246800-10K	24	≤45	680	≤280	520	0.49	0.05	1.5	0.15	2.5	2	22
TG-38246800-20K	24	≤45	340	≤280	260	0.88	0.09	3.0	0.29	2.3	3	22
TG-38246800-30K	24	≤45	225	≤280	170	1.31	0.13	4.0	0.39	2.3	3	22
TG-38246800-60K	24	≤450	113	≤280	85	2.38	0.23	7.0	0.69	2.0	4	25
TG-38246800-90K	24	≤45	75	≤280	57	3.56	0.35	12	1.18	2.0	4	25
TG-38246800-180K	24	≤45	38	≤280	29	6.37	0.62	19	1.86	1.8	5	27
TG-38246800-270K	24	≤45	25	≤260	19	9.56	0.94	30	2.94	1.8	5	27
TG-38246800-540K	24	≤45	12.5	≤150	11.5	10	0.98	30	2.94	1.2	6	29
Packing Details	CTN size: 37X27XH18CM 60pcs/CTN N.W. 12Kgs											